



GRIPPLE[®]
Change the game

Game Changing Solutions
for **Seismic &**
Force Protection





Product Led, People Powered

Established in 1989, our innovative, engineered solutions are helping customers to overcome their toughest daily challenges, achieving their goals faster and easier.

We are no ordinary business. We do almost everything differently.

We're Changing the Game

1 - 100% employee owned

Our empowering employee ownership model means everyone is invested. Success for our global customers means success for us.

2 - Game changing innovators

Our vision is to engineer game-changing products and systems that make a difference for more global customers.

3 - Helping customers do more with less

We solve customers' real-world problems with simplified engineered solutions.



4 - Vertically integrated

As an award-winning global manufacturer, we create finished Gripple solutions from components we produce in-house, on machinery we design and build ourselves.

5 - A force for good

We share the benefits of global sustainable growth with our customers, communities, and employee-owners. As a certified B Corp, we meet the highest standards of social and environmental performance.

Contents

Vertically Integrated Manufacturing	4
TecLoc Range Overview	6
TecLoc Cable Bracing Kits	8
TecLoc Rigid Bracing Brackets	10
TecLoc Rod Stiffener Clips	12
TecLoc Conduit Claw	14
TecLoc Beam Clamp	16
Fast Trak Seismic Brace Adapter	18
Spider Seismic Adapters	20
Sway Brace Connector	22
Vibration Isolation	24
Technical Support	26
Gripple in Action	28



Vertically Integrated Manufacturing

An award-winning manufacturer, we create finished Gripple solutions from components we also produce in-house. Our vertically integrated operations produce our own die castings, injection molded components, steel pressings, and wire accessories. We even design and build our own automated manufacturing machinery!

Through ways of working including lean manufacturing and just-in-time inventory management, we ensure streamlined processes and maximum value delivery. Our employee owners are empowered to identify opportunities for continuous improvement, which result in greater efficiencies, better quality, and improved customer satisfaction.

Continual investment in our manufacturing and supply chain means we're a trusted partner for our customers, able to consistently deliver quality, reliability, and value.



Changing the Game in 85 Countries Worldwide

Our global manufacturing and distribution footprint has been designed to deliver our innovative Gripple solutions, on-time, to over **8,000 customers**, at more than **16,000 drop points** in **85 countries** worldwide. There are over **900 employee-owners** around the globe, and every one of our sites is united by the commitment to help our customers. Some of our original customers have become partners in Europe, Asia, and Oceania, to strengthen our global supply chain and deliver value every day.

Gripple United Kingdom

- 1 Global Head Office – Sheffield, UK

Gripple Europe:

- 2 Gripple Europe Head Office – Obernai, France
- 3 Paris, France
- 4 Aßlar, Germany
- 5 Warszawa, Poland

Europe Partners:

- 6 Gripple, Portugal
- 7 Gripple, Spain
- 8 Gripple, Italia

Gripple USA:

- 9 Gripple Inc. Head Office – Aurora, Illinois
- 10 Gripple Inc. West Coast – Santa Fe Springs, California

Gripple Rest of the World:

- 11 Toronto, Canada
- 12 New Delhi, India
- 13 Kobe, Japan

Rest of the World Partners:

- 14 Gripple Australia – Victoria
- 15 Gripple South Africa



TecLoc Range Overview

Our TecLoc Seismic range delivers reliable, high-performance solutions for stiffening, bracing, and structural bracing attachments in areas prone to seismic activity. Covering all your seismic needs, the range includes secure, retrofit options that enable quick and easy installation - even after services are in place.

Trusted by contractors across the industry, TecLoc products save time and cut costs compared to traditional methods.

Our technical team provide tailored support from concept to completion, including calculations, Revit files, and CAD drawings, to ensure your project runs smoothly. Involving us early helps save time and materials with efficient solutions.

We assess your project's seismic needs based on location-specific codes and offer complete end-to-end support - from design to on-site installation.



STIFFENING SOLUTIONS

BRACING SOLUTIONS

BRACING ATTACHMENTS



TecLoc Conduit Claw



TecLoc Rod Stiffener Clip



TecLoc Cable Bracing Kits

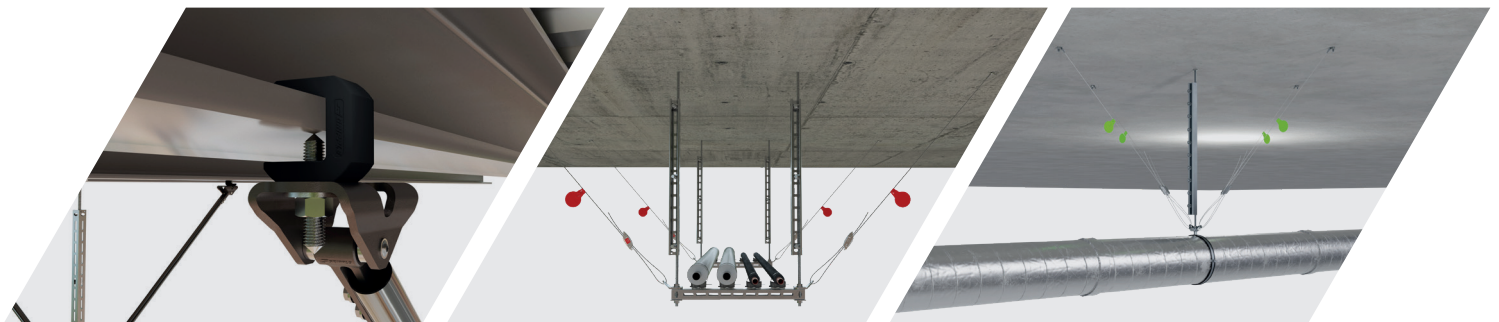


TecLoc Rigid Bracing Brackets



TecLoc Beam Clamp

The Tecloc range can be used in a variety of ways, across applications including electrical, HVAC and plumbing.





TecLoc Cable Bracing Kits

Our TecLoc Cable Bracing Kits are designed to secure non-structural equipment during seismic or blast impacts. The system is up to 10 times faster to install than traditional methods with a toolless installation. The kit is available in four different sizes to suit your installation.

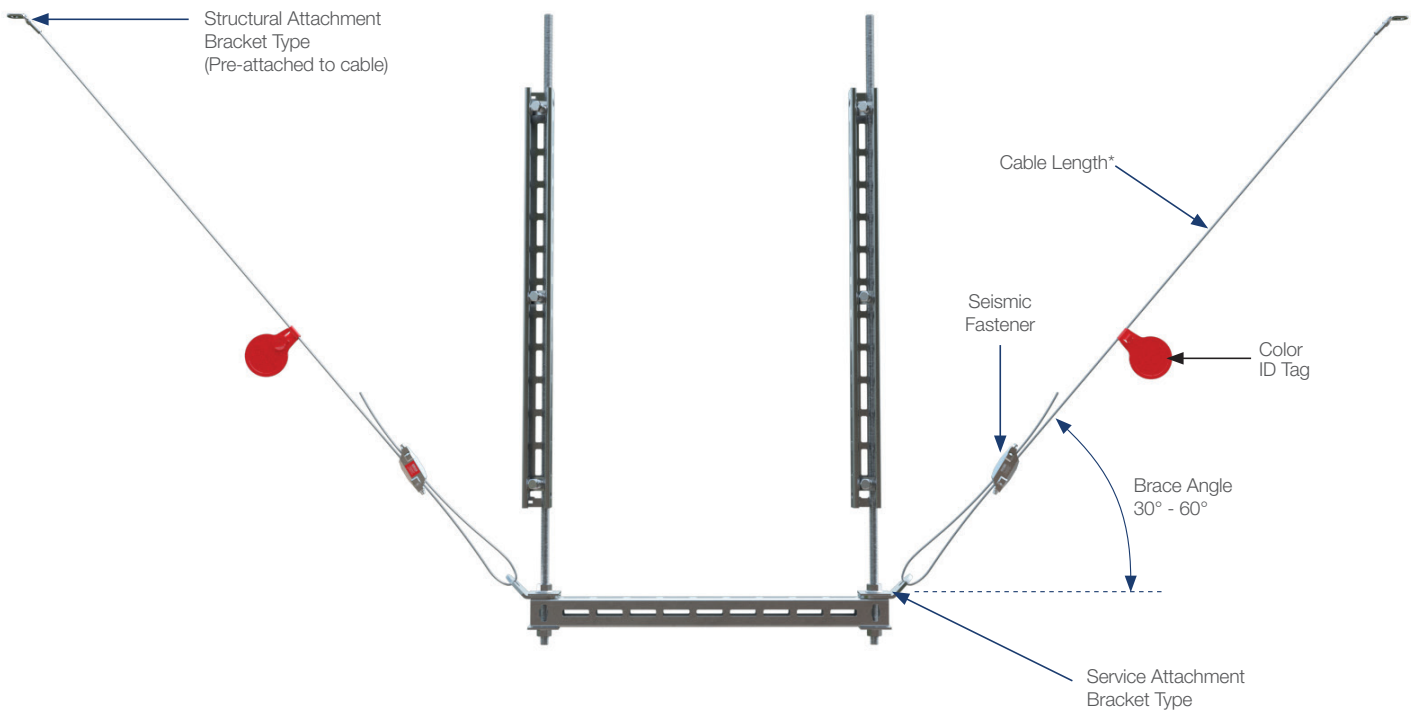


-  **Universal** - Suitable for new or retrofit installations
-  **Versatile** - Can be used in a variety of bracing configurations
-  **Strong** - Break strength certified, with pre-stretched Gripple wire rope
-  **Ease of use** - Color coding allows easy field verification

Product Codes:
GS10, GS12, GS19 and GS25



Scan for further
technical
information



Load and Resistance Factor Design Values (LRFD)

Design strength values in this table are representative of a typical installation. They can be modified to meet specific project situations if approved by a licensed engineer.

Product Code	lbf
GS10	400
GS12	945
GS19	2265
GS25	3570

Packaging

Kit Contents (includes 2 kits per pack)
1 x Seismic Fastener
1 x Structural Attachment Bracket Type (pre attached to cable)
1 x Service Attachment Bracket Type
1 x Length of Cable*

*Standard available cable lengths are 10ft, 15ft and 20ft



TecLoc Rigid Bracing Brackets

The TecLoc Rigid Bracing Brackets offer strength and versatility for securing non-structural equipment during seismic or blast events.

Available in two sizes, they feature dual fixing points, a cast 'fork' design allowing for use with multiple substrates, and a retrofit bottom bracket for post installation bracing, ensuring reliable, flexible protection.



Ease of use - Reduces the prying effect and allowing for smaller anchors to be used



Adjustable - Top structure brackets offer dual fixing points, allowing for flexible installation for various rod sizes



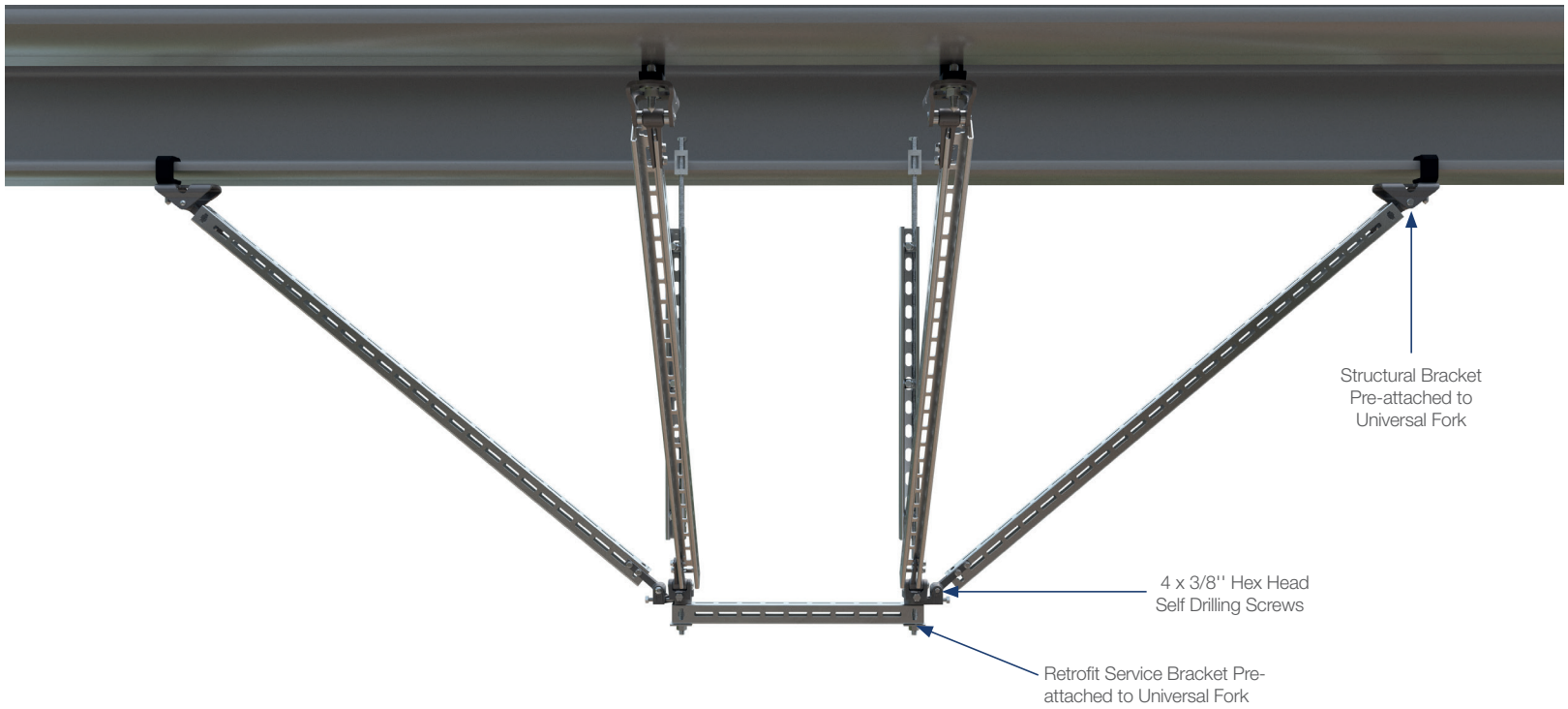
Versatile - Cast fork design allows for use with multiple bracing substrates including strut, EMT and piping



Adaptable - Fully retrofit bottom service bracket, allowing for the seismic brace to be installed after the services are suspended

Product Codes:
TL-RB-3812
TL-RB-1258

Please contact our
Technical Team for
more information.



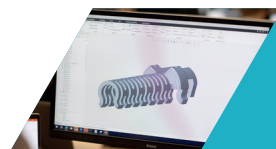
Load and Resistance Factor Design Values (LRFD)

Design strength values in this table are representative of a typical installation. They can be modified to meet specific project situations if approved by a licensed engineer.

lbf
5465

Packaging

Kit Contents
1 x Structural Bracket pre-attached to Universal fork
1 x Retrofit Service Bracket pre-attached to Universal fork
4 x 3/8" Hex Head Self Drilling Screws





Revit families available - **visit our website to find out more**



TecLoc Rod Stiffener Clip

The TecLoc Rod Stiffener Clip is designed to secure strut to rod to protect and prevent rod buckling in seismic conditions.

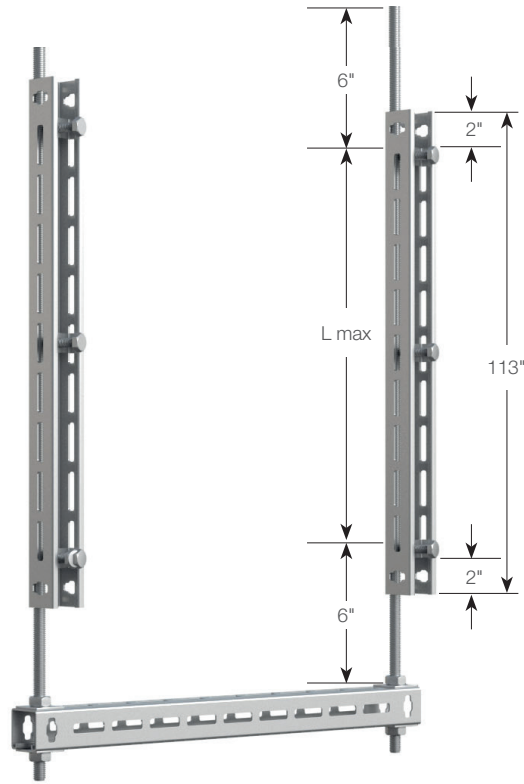


-  **Versatile** - Designed for universal compatibility with Gripple Universal Bracket or standard strut, as well as various threaded rod sizes
-  **Safe** - Prevents the threaded rod from buckling under seismic conditions
-  **Strong** - Stiffens rod by securing to the Gripple Universal Bracket or strut

Product Code: RS-CLIP
Box Quantity: 100



Scan for further
technical
information



L max
 For Rod Stiffener Clip spacing reference compression load tables'

Lmax = Maximum allowable threaded rod length without stiffener

Clip spacing and design strength values in this table are representative of a typical installation. They can be modified to meet specific project situations if approved by a licensed professional engineer.

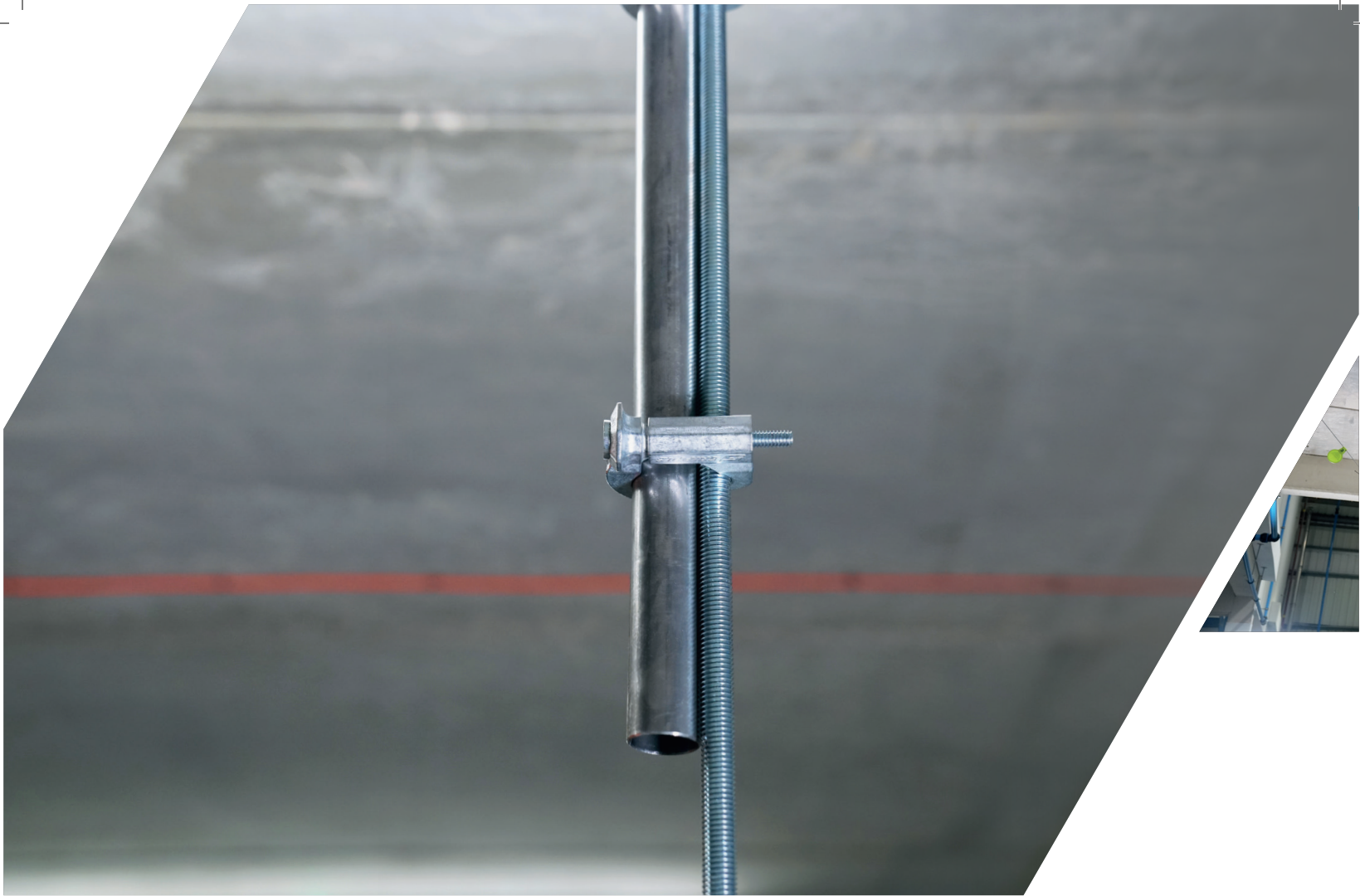
Maximum Compression Load

Max. Compression with stiffener (lbf) LRFD (43 ksi)

Rod size (In)	Clip spacing (In)	with Gripple Universal Bracket
3/8	14	410
1/2	20	690
5/8	25	1150
3/4	31	1180

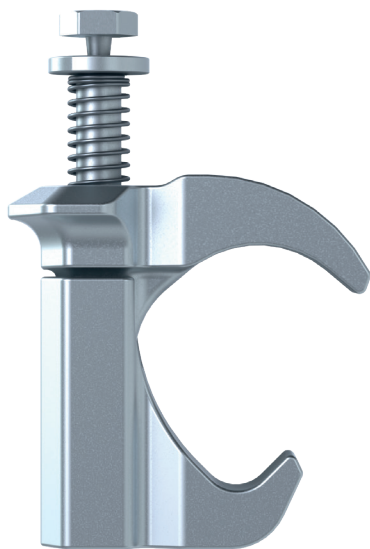
Max. Compression with stiffener (lbf) LRFD (43 ksi)






Rod size (In)	Clip spacing (In)	with P1000 strut
3/8	19	352
1/2	25	697
5/8	31	1170
3/4	37	1835
7/8	43	2611



TecLoc Conduit Claw

A revolutionary stiffening solution designed for fast and secure retrofit installations of pipe or conduit (versus strut) to threaded rod, suitable for multiple mechanical, electrical and plumbing applications.

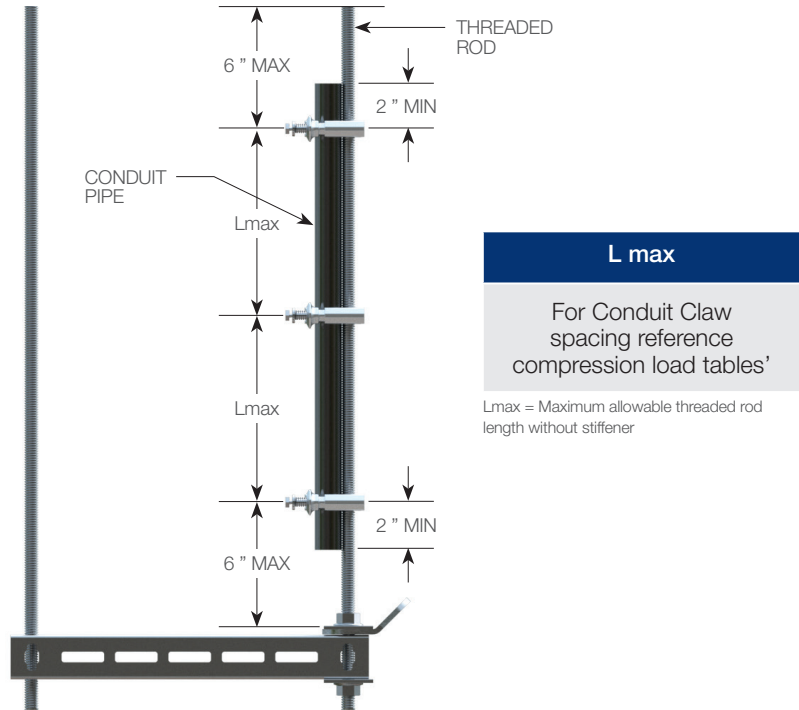


-  **Universal** - Compatible with 1" EMT and 1" Schedule 40 Pipe and 3/8", 1/2" and 5/8" rod sizes
-  **Versatile** - Retrofittable, allowing for installation after services are suspended
-  **Quick** - Reduces installation time significantly
-  **Easy to use** - Designed to support a one person install
-  **Safe** - Prevents rod from buckling under seismic conditions

Product Code: RS-CONDUIT-CLIP
Box Quantity: 50



Scan for further
technical
information



Clip spacing and design strength values in this table are representative of a typical installation. They can be modified to meet specific project situations if approved by a licensed professional engineer.

Maximum Compression Load

Max. Compression (lbf) LRFD

Conduit/Pipe Size (In)	Rod Size (In)	Claw Spacing (In)	EMT
1	3/8	14	649
	1/2	20	1089
	5/8	25	1271

Max. Compression (lbf) LRFD

Conduit/Pipe Size (In)	Rod Size (In)	Claw Spacing (In)	RMC & Pipe (Std. Sch.40)
1	3/8	19	534
	1/2	25	1056
	5/8	31	1772



Revit families available - **visit our website to find out more**



TecLoc Beam Clamp

A seismic load rated beam clamp offering bracing attachment to beams and bar joists. It can be used with our TecLoc Cable Bracing Kits, acting as a bracing attachment, and fits beam flanges up to 1 1/4" thickness.



Safe - Tested in accordance with ASHRAE 171, IAPMO approved for compliance with IBC 2024



Ease of use - Single bolted attachment for easy install



Strong - Over 2,280lbs load and resistance factor design



Shear-off bolt head - Breaks off once optimal torque is applied allowing for easy onsite inspection



Adaptable - Tested in 0-90° arrangements

Product Code: GSBC-125
Box Quantity: 15

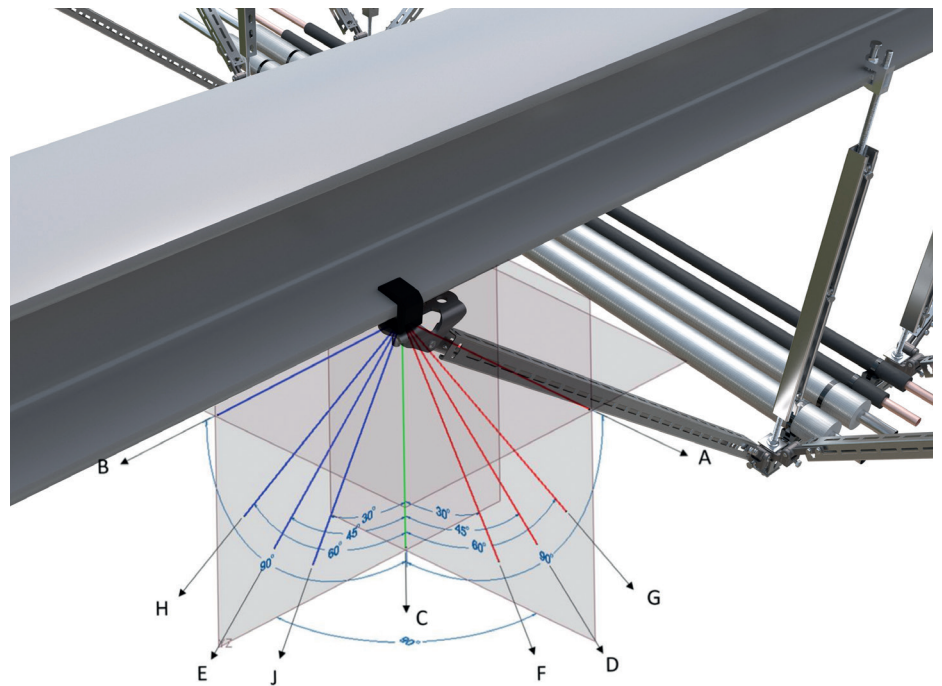
Please contact our
Technical Team for
more information.



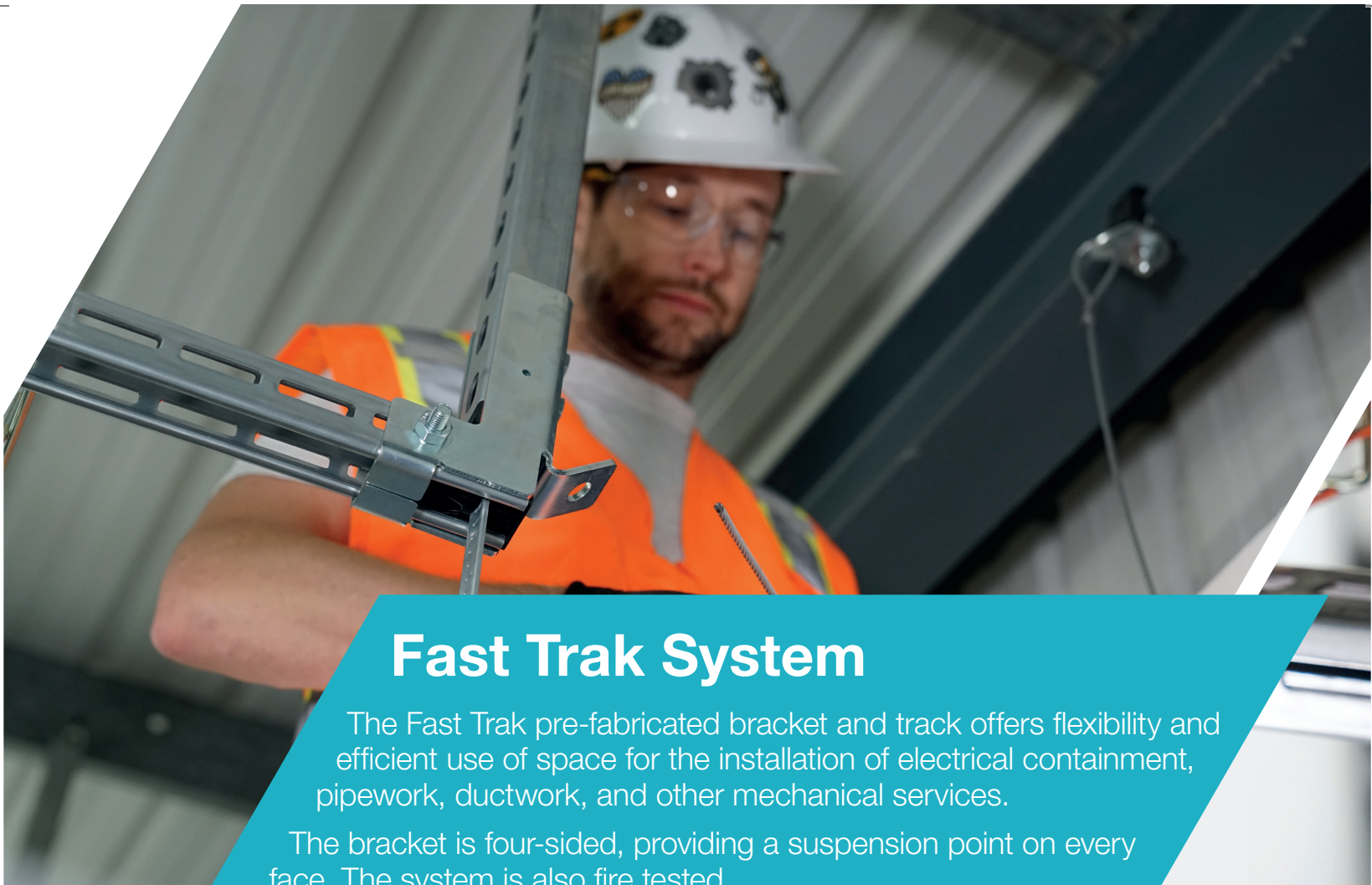
Load and Resistance Factor Design Values (LRFD)

Design strength values in this table are representative of a typical installation. They can be modified to meet specific project situations if approved by a licensed engineer.

Arrangement	Load and Resistance Factor Design Rating
	lbf
A	2736.1
B	2289.7
C	4800
D	3974.2
E	4279.8
F	4714.3
G	3017.9
H	3464.3
J	4800



Revit families available
- visit our website
to find out more



Fast Trak System

The Fast Trak pre-fabricated bracket and track offers flexibility and efficient use of space for the installation of electrical containment, pipework, ductwork, and other mechanical services.

The bracket is four-sided, providing a suspension point on every face. The system is also fire tested.

Fast Trak Seismic Brace Adapter

If you are installing Fast Trak in areas of seismic activity or where blast protection is necessary, the adapter is required to make the system seismically rated.



Effective – allows Fast Trak™ to be seismically braced using strut



Strong – multiple securing points which stiffens the whole system



Compatible – suitable for use with TecLoc Cable Bracing Kits for a variety of bracing configurations



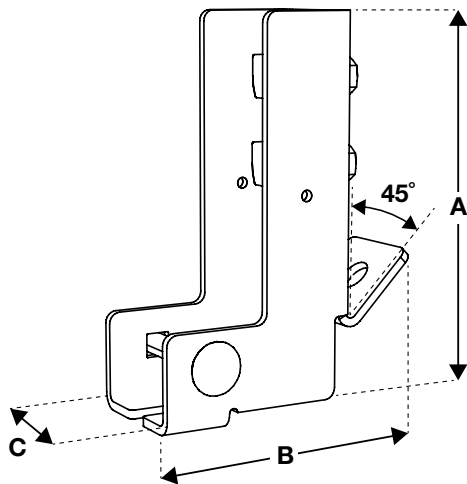
Verified – IAPMO certified & ASHRAE 171 tested



Suitable – can be used for new and retrofit installations



Use in conjunction with our TecLoc Cable Bracing Kits (compatible with GS10, GS12 and GS19).



Design and Dimensions

A in	B in	C in
7.04	5.10	1.73

Product Code: FT-SMB-M10
Box Quantity: 8



**Scan to find
 out more.**



Spider Concrete Anchor System




Our Spider cast-in-place concrete inserts (for metal deck and wood form) provide a dependable and high-performance solution for suspending MEP services in concrete structures.

With our patented push-in toggle technology, you can use a single insert with either cable or rod, offering maximum flexibility on-site. And our seismically rated push-in toggles are both ICC and UL approved.



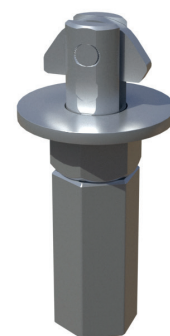
Spider Seismic Adapters

Our Spider Seismic adapters utilize our push-in technology to connect directly to our spider concrete inserts, creating a seismic bracing point for bracing and securing suspended MEP services. The Spider concrete inserts only become seismically rated when used in conjunction with our Seismic push in Toggle Adapters.

-  **Universal Design** – Available in two versions to work with multiple cable sizes or rod sizes
-  **Fast** – Below deck install thanks to our push-in toggle technology
-  **Verified** – ICC, LARR and UL approved and tested



Spider Seismic Bracing Push-in Toggle Adapter



Spider Seismic Push-in Toggle Adapter



Scan me to find out more about our Spider Range

Spider Seismic Bracing Push-in Toggle Adapter

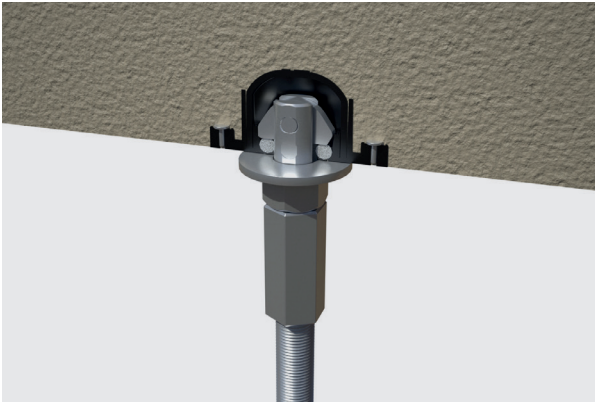
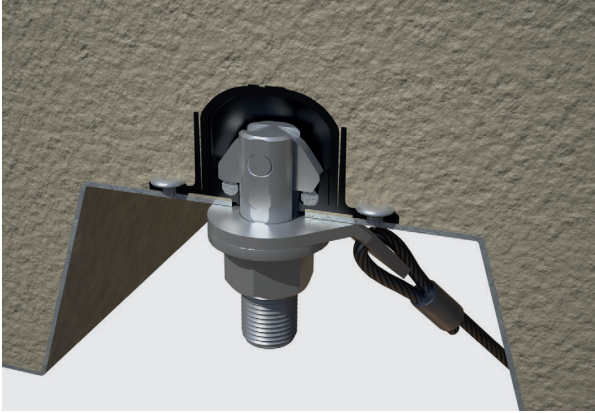
Connects directly to our Spider concrete inserts to create a seismic bracing point for bracing with our TecLoc Cable Bracing Kits. Accepts multiple sizes, allowing decision for cable size used to be made after the concrete is poured.

Product Code	Box Quantity
SX-ADP-SEIS	40

Spider Seismic Push-in Toggle Adapter

Connects to Spider concrete inserts for seismic vertical rod suspension and bracing. Available in four sizes for 3/8", 1/2", 5/8" and 3/4" rods, allowing decisions to be made after the concrete pour, giving you ultimate on-site flexibility.

Product Code	Box Quantity
SX-ADP-SEIS-CPL-3/8	20
SX-ADP-SEIS-CPL-1/2	20
SX-ADP-SEIS-CPL-5/8	20
SX-ADP-SEIS-CPL-3/4	20





Sway Brace Connector

Our Sway Brace Connector is a cable brace and catenary accessory designed for stabilizing suspended lighting and acoustic panels, especially during seismic events. It's designed for easy cable alignment, making installation quick and easy.



Versatile – brace cable sizes between 3/64” to 1/8” diameter at different angles to suit multiple installation types and systems



Strong – Capable of bracing systems and resisting side forces



Aesthetics – Sleek design provides an aesthetically pleasing product to complement the overall system install



Quick install – with no loose parts, simply slot the cables in place and tighten to secure the bracing product

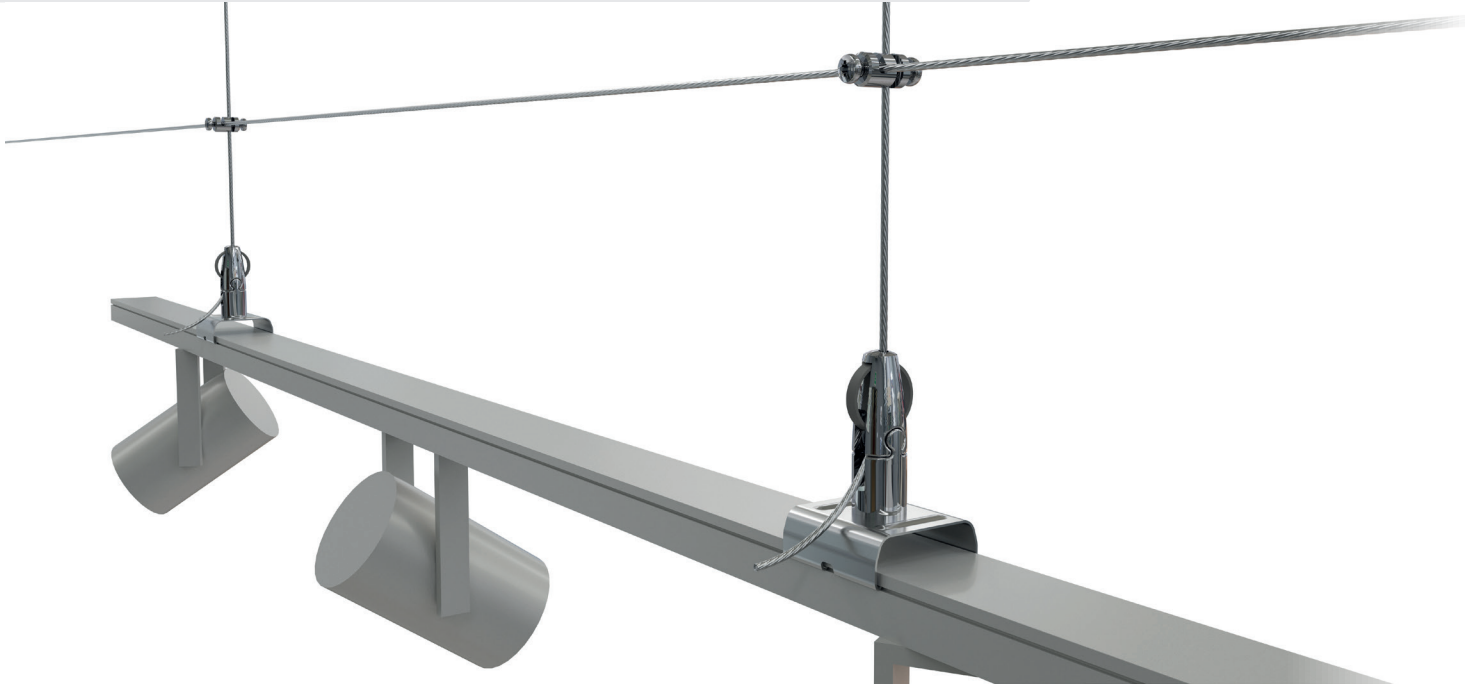


Discreet – used with 3/64” to 1/8” cable for an unobtrusive supporting bracing install

Product code – SCB – 10BB
Box Quantity: 230



Scan for further
technical
information



Whether you need to ensure stability during earthquakes or prevent sway from other forces such as airflow, our sway brace connector is a dependable solution that combines functionality and style.

Cable comparability	Max. working load (lbs)
1/16"	22
5/64"	77
1/8"	132



Vibration Isolation Solutions

We offer a range of fast and versatile solutions for managing noise and vibration for non-structural equipment. By isolating vibrations, you can improve comfort, protect equipment, and ensure safer, quieter environments in industrial, commercial, or sensitive environments, such as hospitals.

Whether you need suspension systems, neoprene pads, or floor-mounted springs, Gripple delivers durable, effective options designed with seismic considerations in mind.



Key Benefits of Vibration Isolation

Noise and Vibration Reduction: Minimize disturbances in sensitive environments, including offices, hospitals, and laboratories.

Enhanced Safety and Comfort: Reduce vibrations to protect occupants and prevent structural wear.

Equipment Protection: Extend the lifespan of machinery by minimizing wear and failure from vibrations.

Energy Efficiency: Optimize equipment performance by reducing energy loss caused by vibration.





Our solutions include:

Suspended Vibration Isolation

Designed to decouple vibrations using springs or dampers, suspended solutions reduce noise and improve safety and performance in a variety of applications.

Floor-Mounted Vibration Isolation

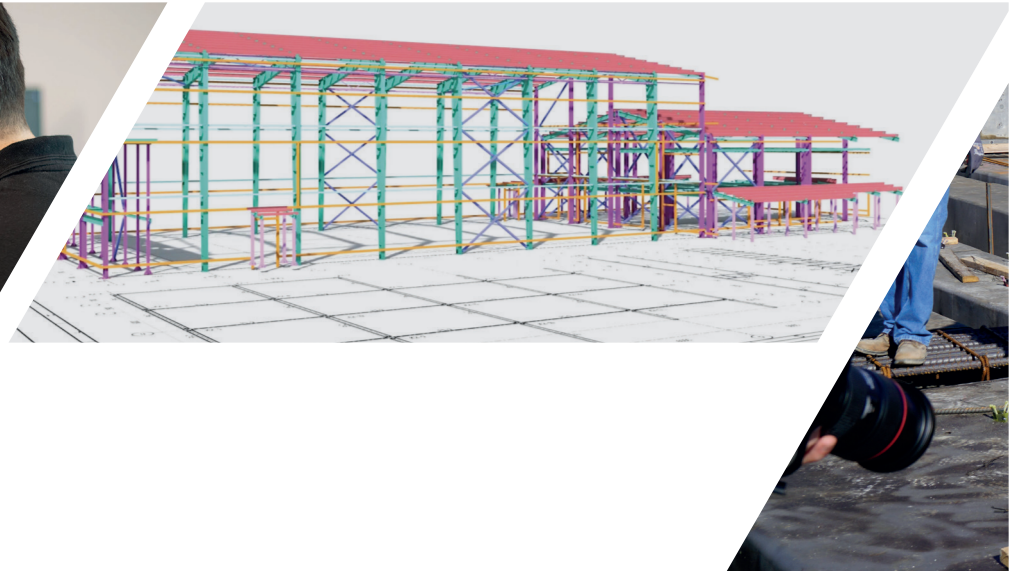
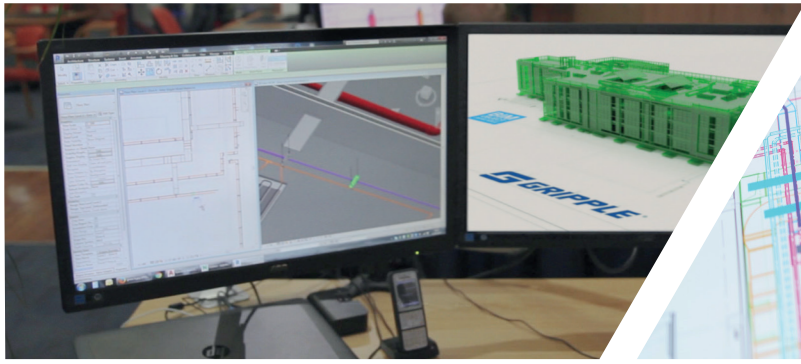
Engineered to block vibrations from transferring to floors or structures, these springs are ideal for heavy machinery and industrial equipment.

Vibration Isolation Pads

A cost-effective solution for lightweight machinery, neoprene pads prevent vibration transfer to floors while dampening noise.



Please contact our
Technical Team for
more information.



Technical Support

Seismic requirements, regulations and on-site health and safety considerations can be complex. That's where Gripple comes in. We assess your project's seismic needs based on location-specific codes and offer complete end-to-end support, from design to on-site installation.

Project Installation & Design Support

At Gripple, we're more than innovative products; we're your trusted partner. Our technical team provide tailored support from concept to completion, including calculations, Revit files, and CAD drawings, to ensure your project runs smoothly. Involving us early helps save time and materials with efficient solutions.

Engineering Calculations

Comprehensive structural and capacity calculations to support project requirements and product integration.

Design Drawings

Developing detailed structural and site design drawings to support your specific project requirements, ensuring procurement efficiencies, best practice design layout and installation arrangements.

3D Library

We can provide a comprehensive library of 2D and 3D product CAD resources.

1:1 Project Engineering Support

Our Gripple technical managers will be on hand at every stage of your project to provide one on one engineering support and advice.



On-Site Support

Our dedicated technical team are on hand to provide personalised on-site support from inception to completion of your project.

Site Product Tests

Our engineering team are available to provide on-site real-world testing to validate performance for your specific project, ensuring it is safe in the event of seismic activity.

Installation Training and Supporting

Our systems are designed for safe, simple, and easy installation. However, if you still need support our dedicated technical team are available to provide on-site training and best practice guidance as and when needed.

Site Inspection and Planning

There is sometimes no alternative to being on site. Our technical team are available to attend site at every stage of your project if needed helping to aid product selection and ensure safety on-site.

Site Logistics

We provide you with a complete system solution as per the engineers calculations making on site logistics easy and simple.

GRIPPLE IN ACTION



Mercy Hospital - Joplin, Missouri



Scan me to find out more!



"When we have used cable bracing before, there is often large spools of cable which creates a lot of waste, and cutting the wire is labor intensive. With Grippler, the bracing kit comes pre-packed, all of the excess is already cut-off, and they are even color coded, making it easier than ever to install."

Dan Hausback,
Senior Project Manager
at US Engineering









CHANGE THE GAME WITH GRIPPLE



Gripple Ltd (Headquarters)

The Old West Gun Works
Saville Street East
Sheffield S4 7UQ
UK

T +44 (0) 800 018 4265
E info@gripple.com

Gripple Europe SARL

1 Rue de Commerce
BP 37
67211 Obernai Cedex
France

T +33 (0)3 88 95 44 95
E frinfo@gripple.com

Gripple Inc

1611 Emily Lane
Aurora
IL 60502
USA

T +1 866 474 7753
E grippleinc@gripple.com

Gripple India

C-115 Industrial Area
Phase 1, Naraina
New Delhi - 110028
India

T +91 11-40582703
E ininfo@gripple.com

Gripple Canada Inc

6665 Tomken Road
Units 9 -10
Mississauga
ON L5T 2C4

T +1 905 458 8700
E cainfo@gripple.com

Gripple Japan K.K

2-57 Tsukizi-cho
Hyogo-ku, Kobe-shi
Hyogo, 652-0845
Japan

T +44 (0) 800 018 4265
E info@gripple.com

gripple.com

