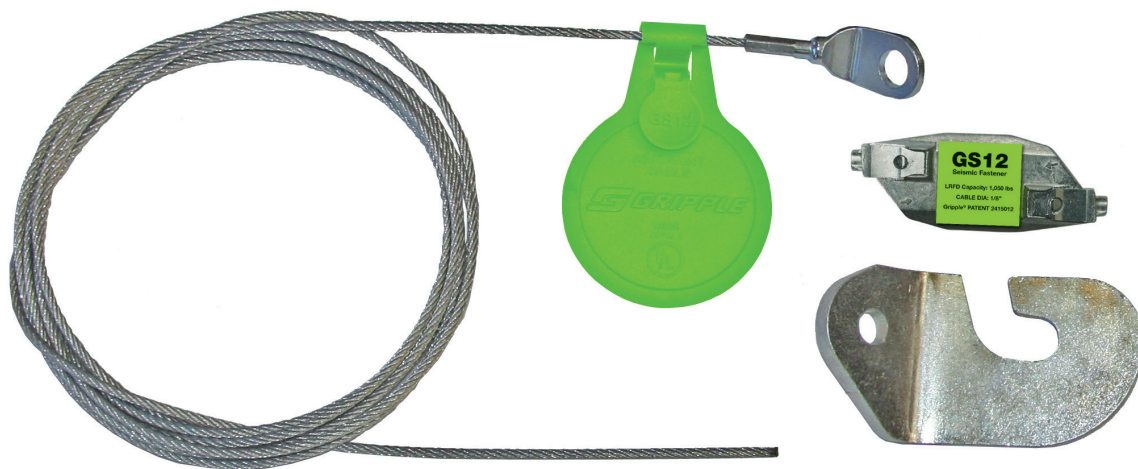


# TecLoc Cable Bracing

A seismic cable bracing restraint system, designed to secure non-structural equipment during seismic or blast impacts.

- **Strong** - Break strength certified, with pre-stretched Gripple cable
- **Faster** - Up to 10 times faster to install
- **Easy to use** - Tool free installation and colour coding allows easy field verification
- **Universal** - Suitable for new or retrofit installations
- **Versatile** - Can be used in a variety of bracing configurations



## Product Specification

### Material - Seismic Fasteners

- Housing - Zinc
- Wedge - Sintered steel
- Spring - Stainless Steel
- End Cap - Zinc

### Material - End Fittings

- 45° Eyelet - Zinc plated steel
- Standard Bracket - Zinc Plated Steel pre-attached to cable via a zinc plated copper ferrule
- Double Bracket (2x Standard Bracket - GS25 kit only) - Zinc Plated Steel pre-attached to cable via a zinc plated copper ferrule

### Material - Cable

- Break strength certified, pre-stretched Seismic cable. Manufactured to EN12385 (equivalent to ASTM A1023)

### Material - Loose Bracket

- Standard or Retrofit brackets - Zinc Plated Steel

### Design Strength (LRFD)

	lbf
GS10	400
GS12	945
GS19	2265
GS25	3570

## Packaging

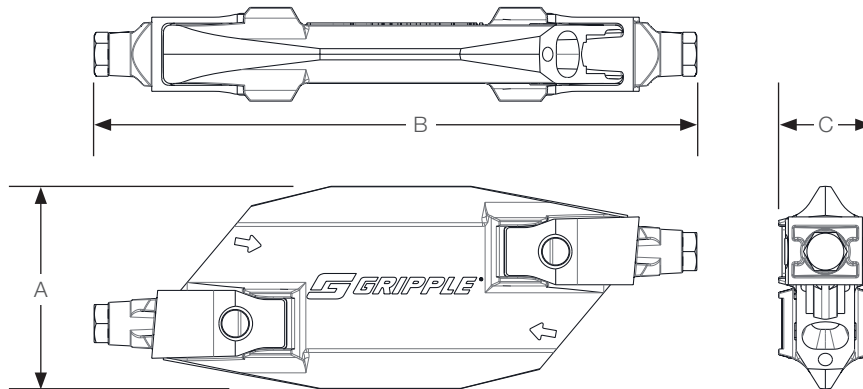
### Kit Contents (includes 2 kits per pack)

- 1 x Seismic Fastener
- 1 x Structural Attachment Bracket Type (pre attached to cable)
- 1 x Service Attachment Bracket Type
- 1 x Length of Cable\*

\*Standard Available cable lengths are 10 ft, 15 ft and 20 ft

## Design & Dimensions

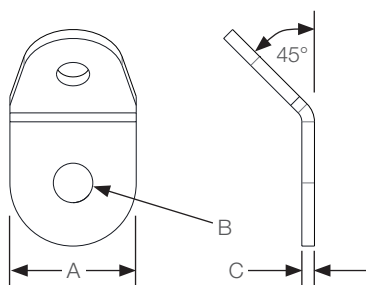
### Seismic Fastener



	A	B	C
	in	in	in
GS10	1.13	3.36	0.52
GS12	1.13	3.36	0.52
GS19	1.36	3.75	0.56
GS25	1.71	4.5	0.71

	GS10	GS12	GS19	GS25
Cable Diameter	5 / 64 "	1 / 8 "	3 / 16 "	1 / 4 "
Stand Configuration	7 x 7	7 x 7	7 x 19	7 x 19
Design strength (LRFD*)	400 lbf	945 lbf	2265 lbf	3570 lbf

### Standard Bracket

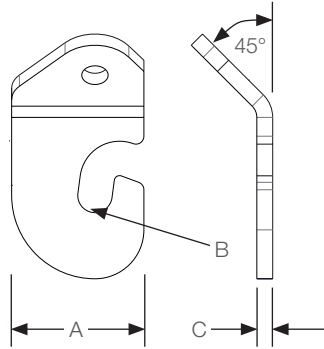


	Dimensions			Compatibility			
	A	B Ø Rod or Anchor Size	C	GS10	GS12	GS19	GS25
	in	in	in				
S4	1.57	3/8	0.15	Y	Y	Y	N
S5	1.65	1/2	0.15	Y	Y	Y	N
S6	1.65	5/8	0.15	N	N	Y	Y*
S8	1.85	3/4	0.15	N	N	Y	Y*
S10	2.12	1	0.15	N	N	N	Y*

\*double bracket supplied with GS25 Kits

## Design & Dimensions

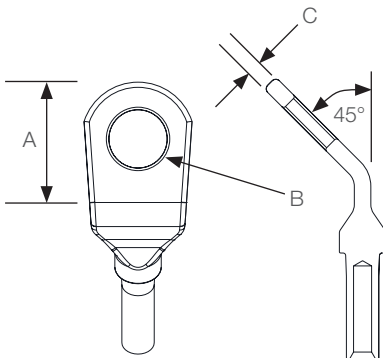
### Retrofit Bracket



	Dimensions			Compatibility			
	A	B Ø Rod or Anchor Size	C	GS10	GS12	GS19	GS25
	in	in	in				
R4	1.97	3/8	0.23	Y	Y	Y	N
R5	1.97	1/2	0.23	Y	Y	Y	N
R6	1.97	5/8	0.23	N	N	Y	Y*
R8	2.36	3/4	0.23	N	N	Y	Y*
R10	2.36	1	0.23	N	N	N	Y*

\*double bracket supplied with GS25 Kits

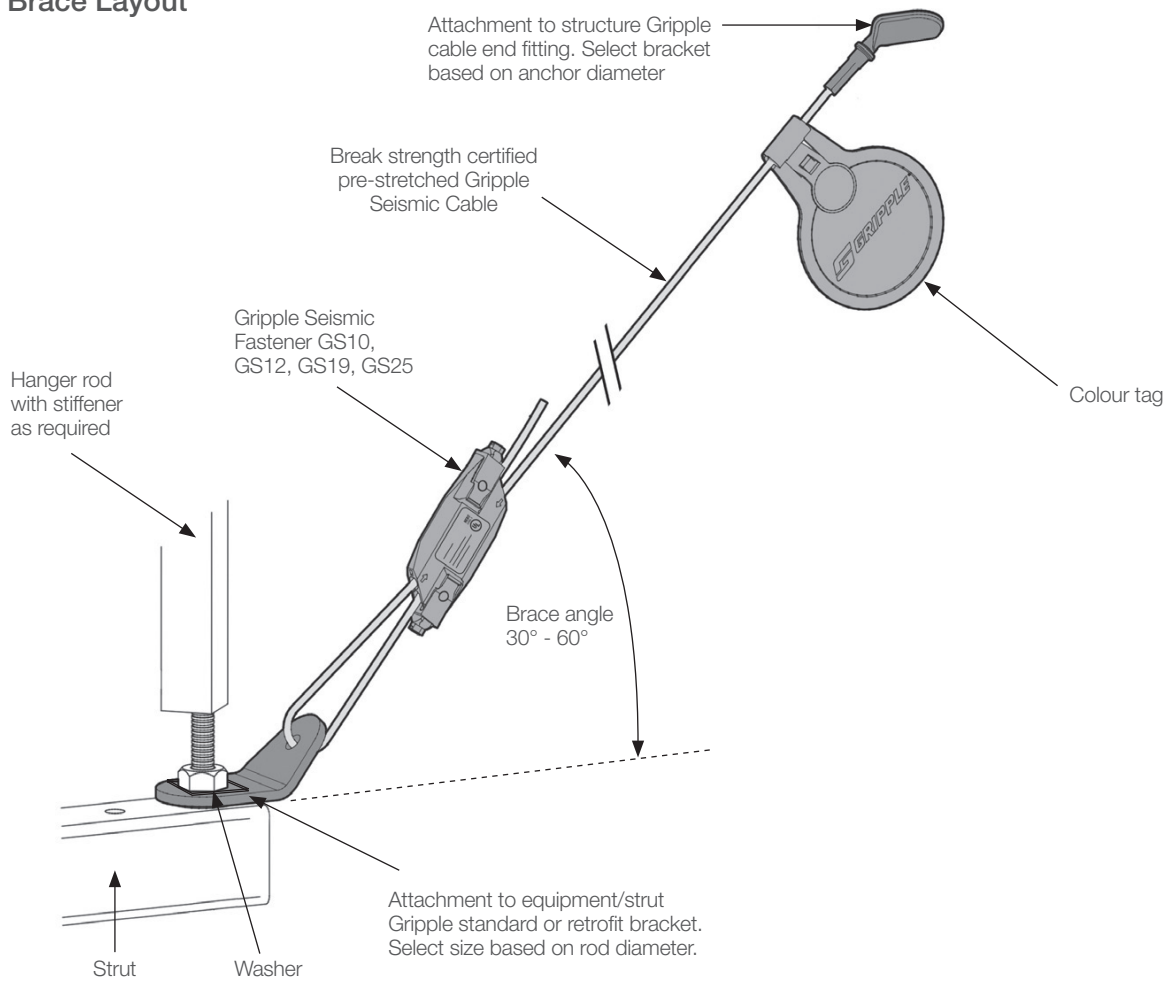
### 45° Eyelet



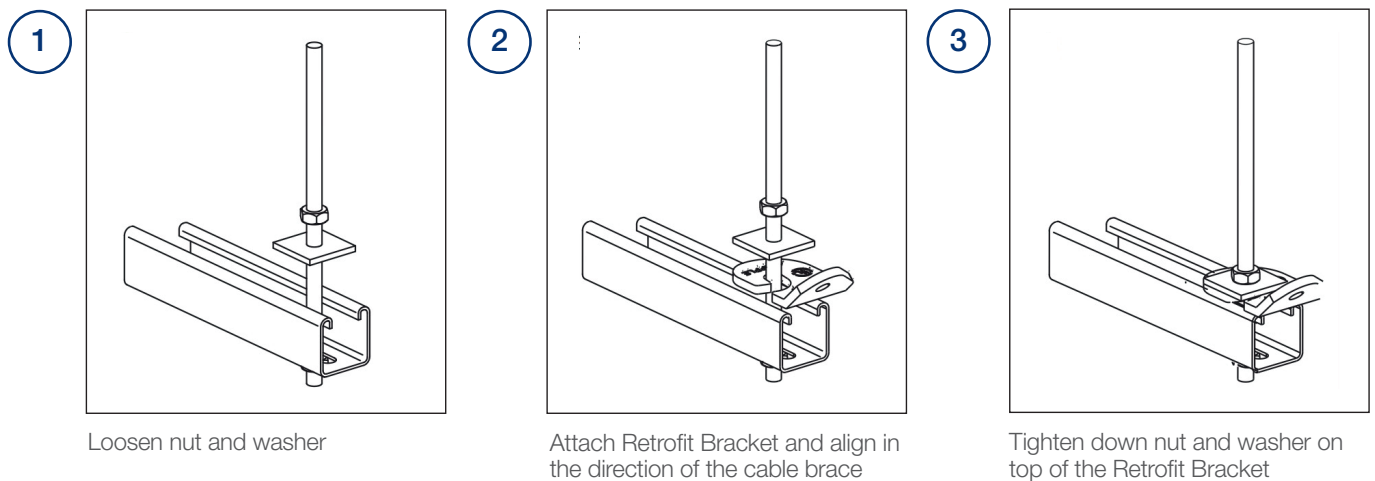
	Dimensions			Compatibility			
	A	B Ø Rod or Anchor Size	C	GS10	GS12	GS19	GS25
	in	in	in				
E4	1	3/8	0.13	Y	Y	N	N

## Installation

### Basic Brace Layout

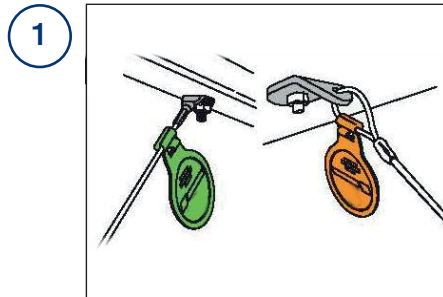


### Retro Fit Bracket

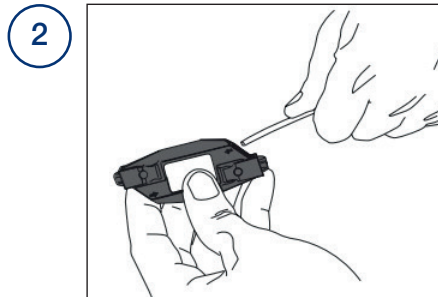


## Installation

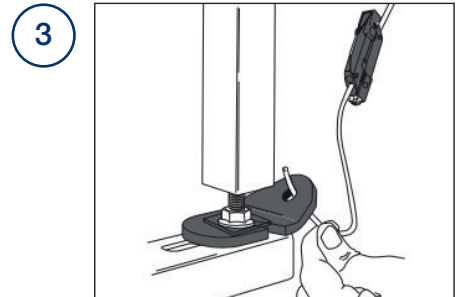
### Seismic Brace



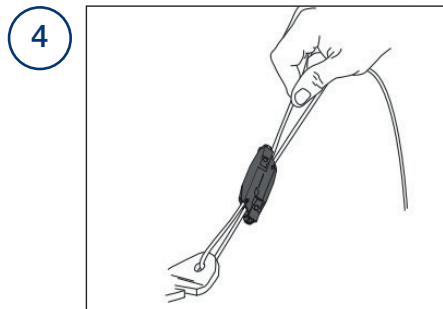
1 Attach the eyelet or bracket to the structure. (Single bracket for GS10, GS12 and GS19, Double bracket for GS25)



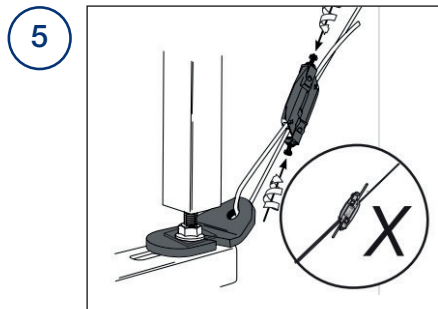
2 Thread the tail end of the cable through the first channel of the Gripple Seismic Fastener



3 Thread the cable through the hole of the Gripple Seismic Bracket attached to the equipment/strut



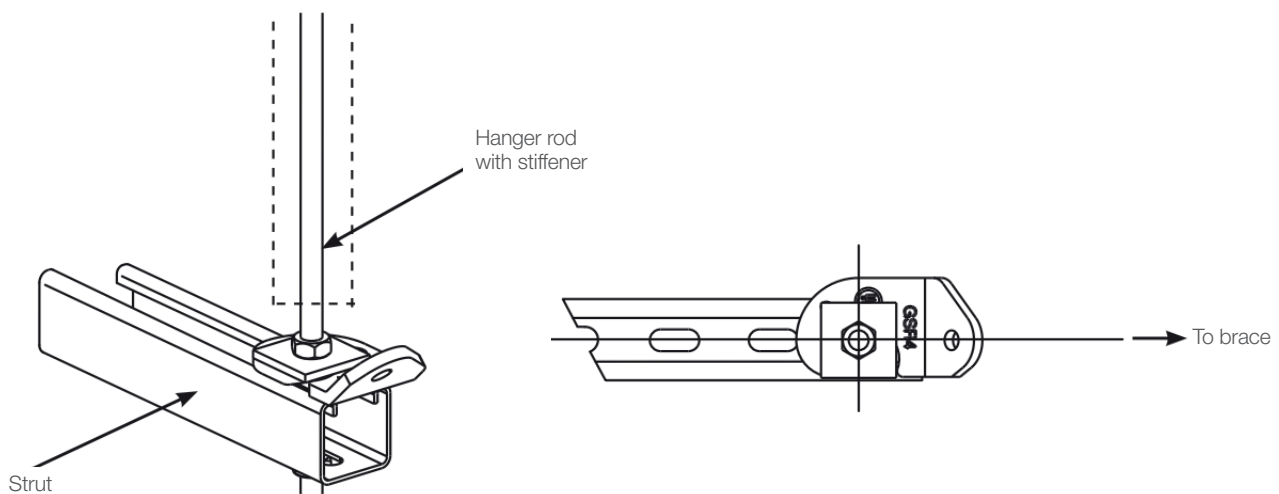
4 Thread the cable back through the second channel of the Gripple Fastener. A 2" tail is recommended for any future adjustments



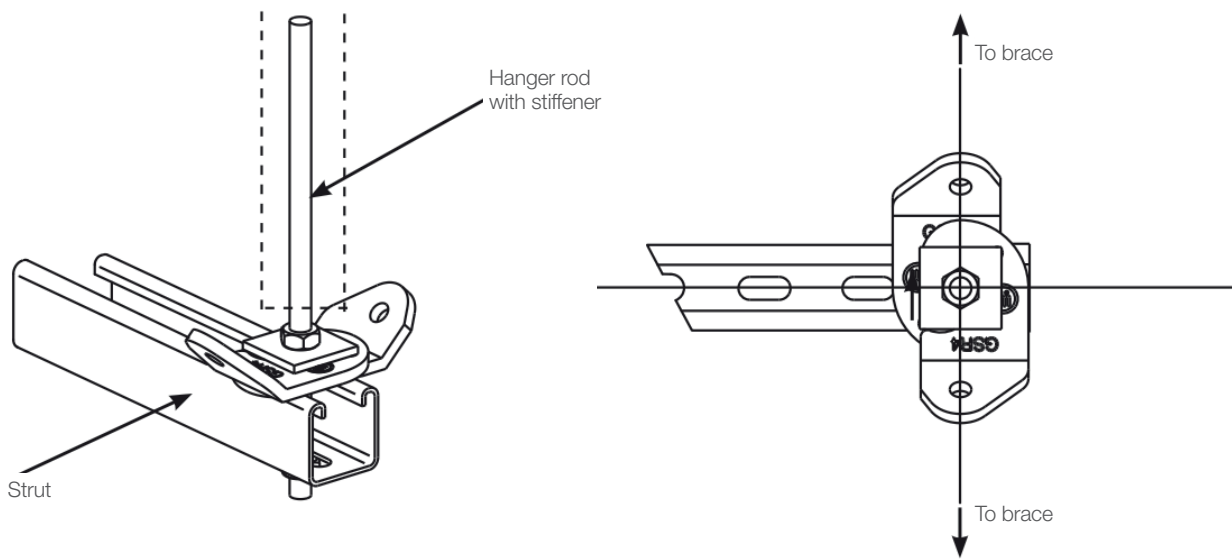
5 Hand-tighten the locking bolts until tight. Installation of the Gripple Seismic Brace is complete.

## Seismic Bracing Installation – Bracket Stacking Installations

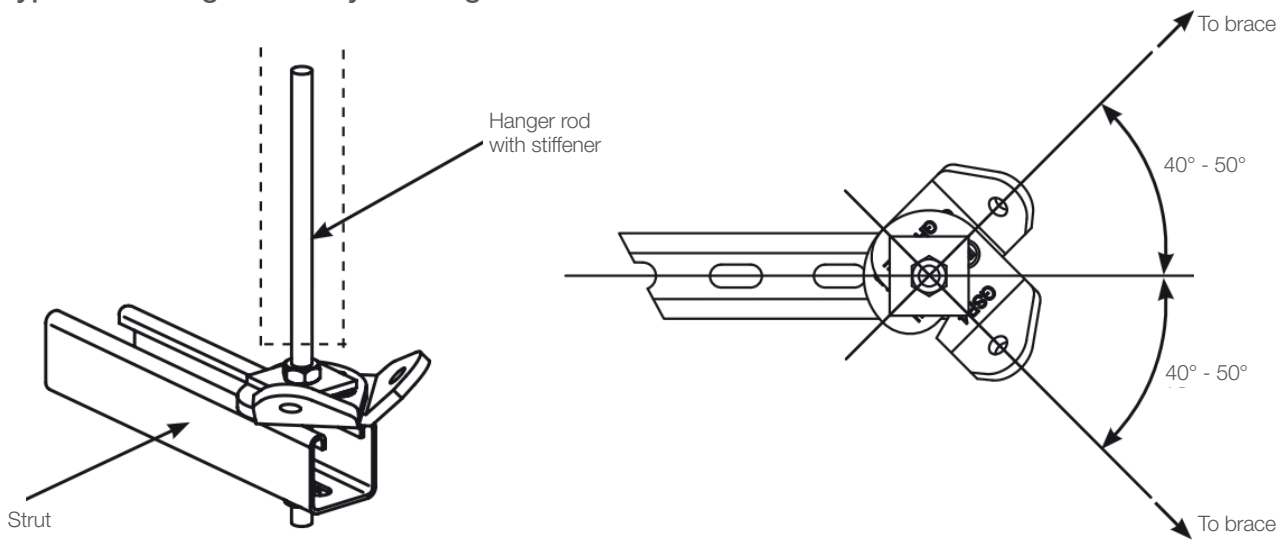
### Typical bracket installation for Transverse bracing



Typical stacking for Longitudinal bracing

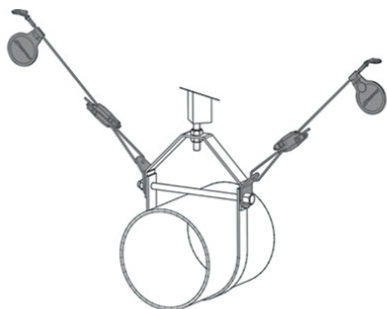


Typical stacking for '4 Way' bracing

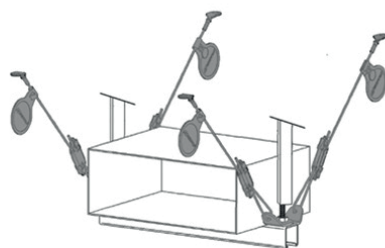


Seismic Bracing Installation – Example Installations

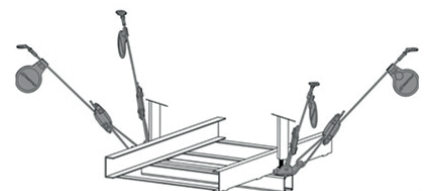
Transverse bracing



Longitudinal bracing



4-Way bracing



## Key Recommendations

Failure to comply with these recommendations may result in product malfunction and possible damage to property or person and will invalidate the Gripple guarantee. Gripple products are guaranteed to be free from defects in materials and workmanship in accordance with our terms and conditions. No other warranty, whether express or implied, including any warranty of merchantability or fitness for purpose shall exist in connection with the sale or use of any Gripple product.

Full technical information and installation instructions should be obtained directly from Gripple Limited, Gripple Europe, Gripple Inc., Gripple Japan, Gripple Poland, Gripple India, Gripple Germany, any regional Gripple office, or via our website [www.gripple.com](http://www.gripple.com).



### ENVIRONMENT

Do not use in chlorinated or chemically corrosive atmospheres. Standard hangers are for use in dry and air conditioned environments only. Stainless steel hangers should be considered for high to saturated humid environments after validation by a competent person.



### PAINTING

Do not paint the hanger prior to installation. Ensure the hanger is in its final position prior to applying any paint to the wire rope assembly. Do not move the fastener after painting.



### IMPACT

If there is potential for impact on the wire rope suspension or suspended services, seek advice from Gripple Ltd. Technical Services prior to installation.



### REPAIR, MODIFICATION AND RE-USE

Do not repair, modify or re-use Gripple products. If you have any queries regarding product performance, please contact [TechnicalServices@gripple.com](mailto:TechnicalServices@gripple.com)



### INSTALLATION

Do not walk or stand on the Gripple product installation. Gripple products must not be used for personal suspension, fall protection or harnessing people.



### STORING

Do not store the product outdoors, or in damp or abnormal conditions.



### JOINING

Never join two ends together in-line.



### SWIMMING POOLS

Not suitable for swimming pools.



### LIFTING

Do not use for lifting, either by crane or as part of a pulley system.



### TRACEABILITY

Always use the Gripple hanger with the specified wire rope supplied by Gripple. Gripple products should only be used with products supplied by Gripple Ltd., and the warranty will not apply if our products are used with any products supplied by third parties.



### LUBRICATION

Do not apply oil or any other lubricant to the hanger or any other part of the assembly.