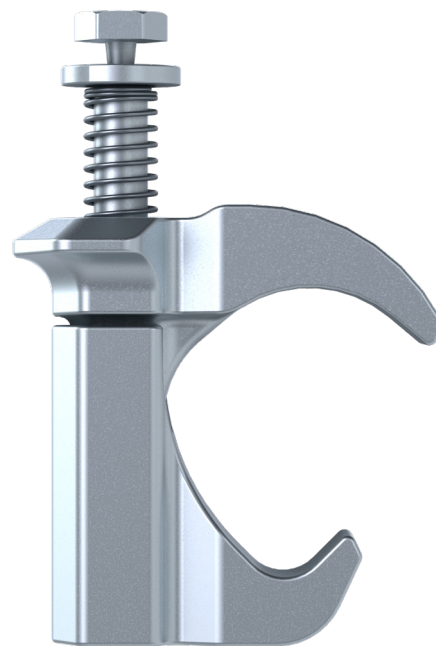


TecLoc Conduit Claw

Seismic Rod Stiffening Clip for Conduit

A fast and secure retrofit rod stiffening clip for conduit.

- **Fast**
Reduces installation time significantly
- **Versatile**
Retrofittable allowing for installation after services are suspended
- **Easy to use**
Designed to support a one person install
- **Universal**
Compatible with 1" EMT and 1" Schedule 40 Pipe and 3/8", 1/2" and 5/8" rod sizes
- **Safe**
Prevents rod from buckling under seismic conditions



Product Specification

Material

- Body - Zinc
- Bolt - Zinc Plated Steel
- Spring - Spring Steel
- Nut - Zinc Plate Steel

Maximum Compression Load

Max. Compression (lbf) LRFD

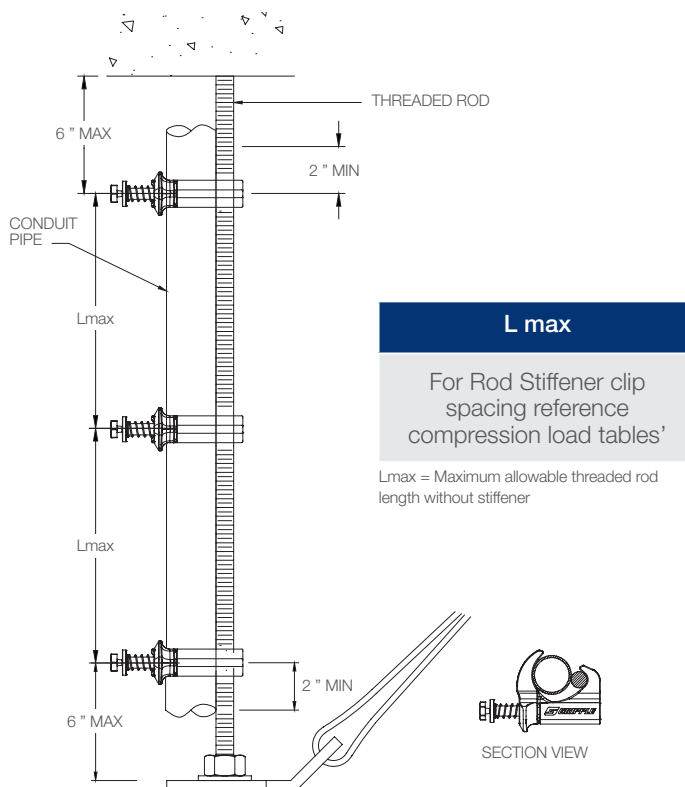
Conduit/ Pipe Size (In)	Rod Size (In)	Clip Spacing (In)	EMT
1	3/8	14	649
	1/2	20	1089
	5/8	25	1271

Max. Compression (lbf) LRFD

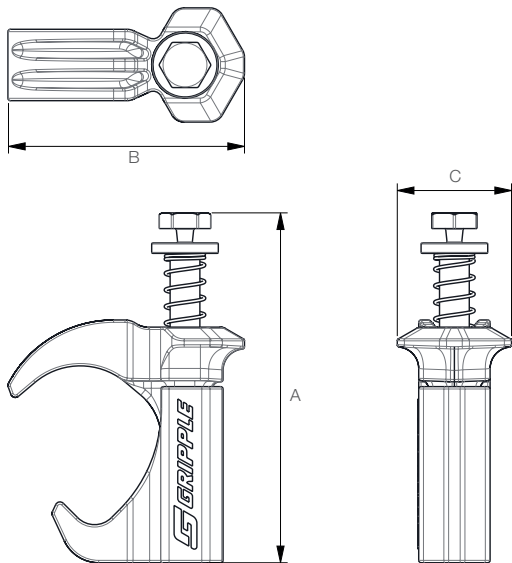
Conduit/ Pipe Size (In)	Rod Size (In)	Clip Spacing (In)	RMC & Pipe (Std. Sch.40)
1	3/8	19	534
	1/2	25	1056
	5/8	31	1772

Clip spacing and design strength values in this table are representative of the typical installations and can be modified to meet specific project situations, provided they are approved by a licensed professional engineer.

Installation Guidance



Design & Dimensions



	In	mm
A	2.6	67
B	2	50
C	1	25

Packaging

Product Code:	RS-CONDUIT-CLIP
Box Quantity:	50
Packed Weight	11.6 lbs

Installation



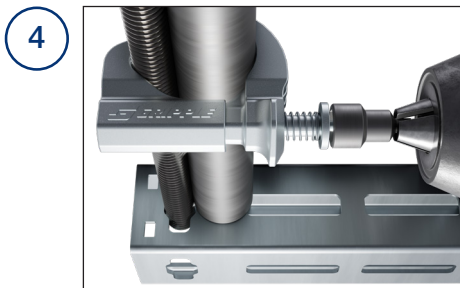
Place pre measured and cut conduit length next to rod.



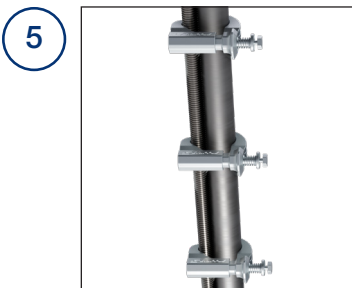
Ensure minimum spacing from the horizontal bracket/strut is achieved as per installation guidance details.



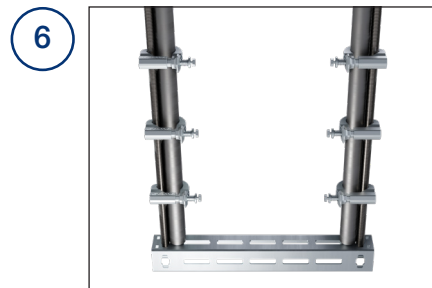
Hold and press the conduit clip to open the jaw. - fit around the rod then conduit.



Release the clip and hand tighten to secure in place.
Bolt will shear-off when torqued to 3.7 - 5.9lb-ft (5-8Nm).



Repeat the process with addition clips, maintaining the spacing requirements advised to ensure correct installation. One side of the rod is now stiffened correctly.



Repeat this total process for the adjacement / opposite rod drop to ensure the full drop location is stiffened adequately as advised.

Key Recommendations

Failure to comply with these recommendations may result in product malfunction and possible damage to property or person and will invalidate the Gripple guarantee. Gripple products are guaranteed to be free from defects in materials and workmanship in accordance with our terms and conditions. No other warranty, whether express or implied, including any warranty of merchantability or fitness for purpose shall exist in connection with the sale or use of any Gripple product.

Full technical information and installation instructions should be obtained directly from Gripple Limited, Gripple Europe, Gripple Inc., Gripple Japan, Gripple Poland, Gripple India, Gripple Germany, any regional Gripple office, or via our website www.gripple.com.



ENVIRONMENT

Do not use in chlorinated or chemically corrosive atmospheres. Standard hangers are for use in dry and air conditioned environments only. Stainless steel hangers should be considered for high to saturated humid environments after validation by a competent person.



REPAIR, MODIFICATION AND RE-USE

Do not repair, modify or re-use Gripple products. If you have any queries regarding product performance, please contact TechnicalServices@gripple.com



INSTALLATION

Do not walk or stand on the Gripple product installation. Gripple products must not be used for personal suspension, fall protection or harnessing people.



STORING

Do not store the product outdoors, or in damp or abnormal conditions.



LOADS

Always operate the product within its stated safe working load range. Suspend static loads only. Do not subject to shock loading. Do not adjust under load.



SWIMMING POOLS

Not suitable for swimming pools.