

TecLoc Rod Stiffener Clip

Seismic Connector for Rod & Strut

A universal stiffening clip designed to secure strut to rod to protect and prevent rod buckling in seismic conditions.

- **Versatile**
Designed for universal compatibility with Universal Bracket and strut as well as various threaded rod sizes.
- **Safe**
Prevents the threaded rod from buckling under seismic conditions.
- **Strong**
Stiffens rod by securing to the Universal Bracket or strut.



Product Specification

Material

- Bracket - Stainless Steel
- Hex Bolt 3/8 UNC - Steel

Maximum Compression Load

Max. Compression with stiffener (lbf) LRFD (43 ksi)

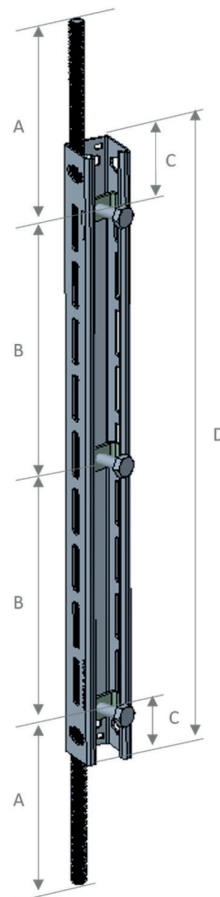
Rod size (In)	Clip spacing (In)	with Gripple Universal Bracket
3/8	14	410
1/2	20	690
5/8	25	1150
3/4	31	1180

Max. Compression with stiffener (lbf) LRFD (43 ksi)

Rod size (In)	Clip spacing (In)	with P1000 strut
3/8	19	352
1/2	25	697
5/8	31	1170
3/4	37	1835
7/8	43	2611

Clip spacing and design strength values in this table are representative of the typical installations and can be modified to meet specific project situations, provided they are approved by a licensed professional engineer.

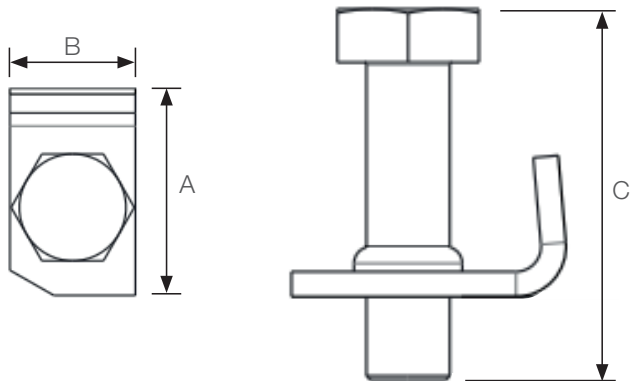
Installation Guidance



	In
A	Max. 6"
B	For Rod Stiffener Clip spacing reference compression load table
C	Max. 2"
D	Max. 113"

Max. Stiffener Length (in) 113
Max. Drop Length (in) 125

Design & Dimensions



	In
A	1.3
B	0.8
C	0.4

Packaging

Product Code:	RS-CLIP
Box Quantity:	100
Packed Weight	9.7 lbs

Installation



1 Position the Universal Bracket or Strut around the rod leaving the rod in the corner



2 Insert rod stiffener clip into Universal Bracket or Strut as shown



3a Rotate and engage into Universal Bracket or Strut return



3c Tighten bolt using impact drive.



4 Add any additional stiffening clips as required, tightening with an impact driver

Key Recommendations

Failure to comply with these recommendations may result in product malfunction and possible damage to property or person and will invalidate the Gripple guarantee. Gripple products are guaranteed to be free from defects in materials and workmanship in accordance with our terms and conditions. No other warranty, whether express or implied, including any warranty of merchantability or fitness for purpose shall exist in connection with the sale or use of any Gripple product.

Full technical information and installation instructions should be obtained directly from Gripple Limited, Gripple Europe, Gripple Inc., Gripple Japan, Gripple Poland, Gripple India, Gripple Germany, any regional Gripple office, or via our website www.gripple.com.



INSTALLATION

Do not walk or stand on the Gripple product installation. Gripple products must not be used for personal suspension, fall protection or harnessing people.



STORING

Do not store the product outdoors, or in damp or abnormal conditions.



LOADS

Always operate the product within its stated safe working load range. Suspend static loads only. Do not subject to shock loading. Do not adjust under load.



SWIMMING POOLS

Not suitable for swimming pools.



REPAIR, MODIFICATION AND RE-USE

Do not repair, modify or re-use Gripple products. If you have any queries regarding product performance, please contact TechnicalServices@gripple.com