

Concrete Wire Anchor & Installation Tool

Suitable for non-cracked concrete as an anchor point for Gripple wire suspension systems.

- Stainless steel to suit most environments
- Winged ends bite into concrete to prevent pull out
- Available with Wire Anchor Installation Tool to make it easier to hold the anchor into place whilst hammering into the concrete



Wire Anchor Installation Tool

Product Specification

Material

- Wire Anchor - Stainless Steel

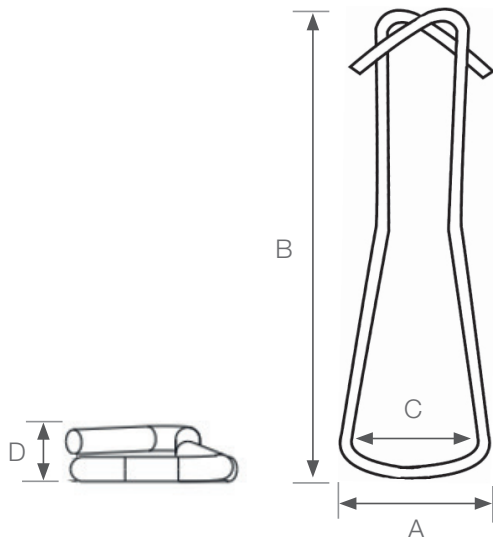
Performance

- Safe Working Load: up to 45kg*
*dependent on base material

Compatibility

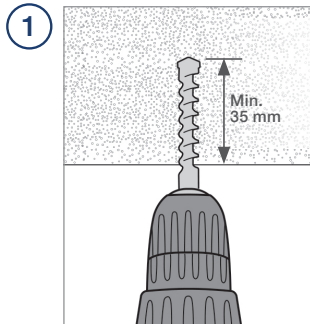
- Compatible with a variety of Gripple Hangers, for more information, please contact us or visit www.gripple.com

Design & Dimensions



	mm
A	13.0 mm
B	50.0 mm
C	9.4 mm
D	2.0 mm

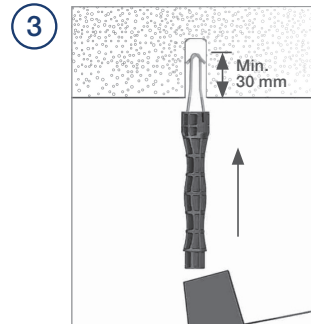
Installation



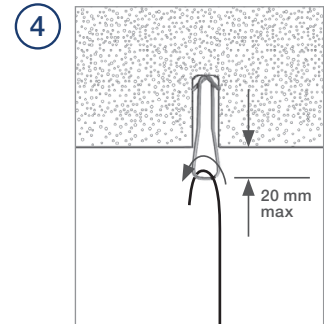
1 Drill a hole, 8 mm diameter to a depth of 35 mm.



2 Insert the Wire Anchor into the Wire Anchor Installation Tool.



3 Hammer into the hole. Inserting using the Wire Anchor Installation Tool ensures correct setting depth.



4 Attach the wire and hanger to the Wire Anchor.

Installation Guidance

WARNING: There are many different types of concrete which have different anchoring properties. Prior to installation, the installer must ensure that the concrete is suitable for use with this anchor.

1. Construction materials and conditions vary on different sites. If it is suspected that the base material has insufficient strength to achieve a suitable fixing, contact Gripple Ltd. The responsibility for judgement of base material strength lies with the installer, and not with Gripple Ltd.
2. Not to be used in marine, coastal, swimming pool or corrosive environments.
3. The information and recommendations given herein are believed to be correct at time of writing. The data has been obtained from tests done under laboratory, or other controlled conditions and it is the user's responsibility to use the data given in light of conditions on site, taking account of the intended use of the products concerned.

4. Whilst Gripple Ltd can give general guidance and advice, the nature of Gripple products means that the ultimate responsibility for selecting the correct product for a particular application must lie with the customer.
5. All products must be used, handled and applied in accordance with current product instructions and manufacturers recommendations for use, published by Gripple Ltd.

Key Recommendations

Failure to comply with these recommendations may result in product malfunction and possible damage to property or person and will invalidate the Gripple guarantee. Gripple products are guaranteed to be free from defects in materials and workmanship in accordance with our terms and conditions. No other warranty, whether express or implied, including any warranty of merchantability or fitness for purpose shall exist in connection with the sale or use of any Gripple product.

Full technical information and installation instructions should be obtained directly from Gripple Limited, Gripple Europe, Gripple Inc., Gripple Japan, Gripple Poland, Gripple India, Gripple Germany, any regional Gripple office, or via our website www.gripple.com.



LOADS

Always operate the product within its stated safe working load range. Suspend static loads only. Do not subject to shock loading. Do not adjust under load.



LIFTING

Do not use for lifting, either by crane or as part of a pulley system.



IMPACT

If there is potential for impact on the wire rope suspension or suspended services, seek advice from Gripple Ltd. Technical Services prior to installation.



HANGING AT AN ANGLE TO VERTICAL

Ensure that the load calculation considers the effect of 'side load'. For example, at an angle of 60° to vertical the SWL is effectively reduced by 50%.



DUCTING

When installing included angle teardrop hangers on round/spiral ducting or pipes, the final included angle of the assembly should not exceed 60°.



ENVIRONMENT

Do not use in chlorinated or chemically corrosive atmospheres. Standard hangers are for use in dry and air conditioned environments only. Stainless steel hangers should be considered for high to saturated humid environments after validation by a competent person.



SWIMMING POOLS

Not suitable for swimming pools.



TRACEABILITY

Always use the Gripple hanger with the specified wire rope supplied by Gripple. Gripple products should only be used with products supplied by Gripple Ltd., and the warranty will not apply if our products are used with any products supplied by third parties.



LUBRICATION

Do not apply oil or any other lubricant to the hanger or any other part of the assembly.



WIRE ROPE

Trim any damaged filaments with the wire cutter before use.



INSTALLATION

Do not walk or stand on the Gripple product installation. Gripple products must not be used for personal suspension, fall protection or harnessing people.



PAINTING

Do not paint the hanger prior to installation. Ensure the hanger is in its final position prior to applying any paint to the wire rope assembly. Do not move the fastener after painting.



STORING

Do not store the product outdoors, or in damp or abnormal conditions.



Y-FIT

Legs on Y-Fit not to be installed greater than 60°.



REPAIR, MODIFICATION AND RE-USE

Do not repair, modify or re-use Gripple products. If you have any queries regarding product performance, please contact TechnicalServices@gripple.com



JOINING

Never join two ends together in-line.