

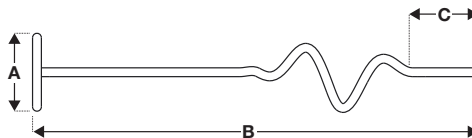
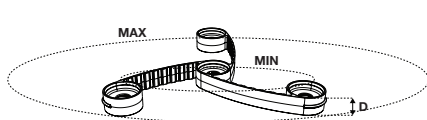
A flexible solution for securing and promoting the healthy growth of containerised plants and trees.

FEATURES / BENEFITS

- Stabilises containerised plants against exterior forces preventing blow over.
- Prevents damage to plants, loss of soil and fertilisers and damage due to frost.
- Promotes air root pruning meaning larger healthier plants with stronger root systems.
- Prevents rooting in of the plant to ground allowing easy removal.
- Allows flexible spacing of containers giving easy access for irrigation and workforce.
- Flexes to suit the size of the socket pot.
- Can be used with up to 4 TLP1 anchors depending on load requirements.



SPECIFICATION



Pot Size Specification:

To fit:	10-57 litre pots
---------	------------------

Material Specification:

Pot-Lock	UV & hydrolysis resistant polypropylene
Twist Anchor	Galvanised high tensile spring steel

Max. Diameter	310
Min. Diameter	160
Depth (D)	25

Dimension	Length (mm)
A	35
B	200
C	28

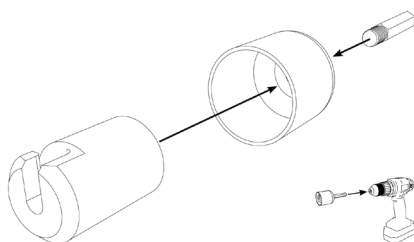
INSTALLATION TOOLS



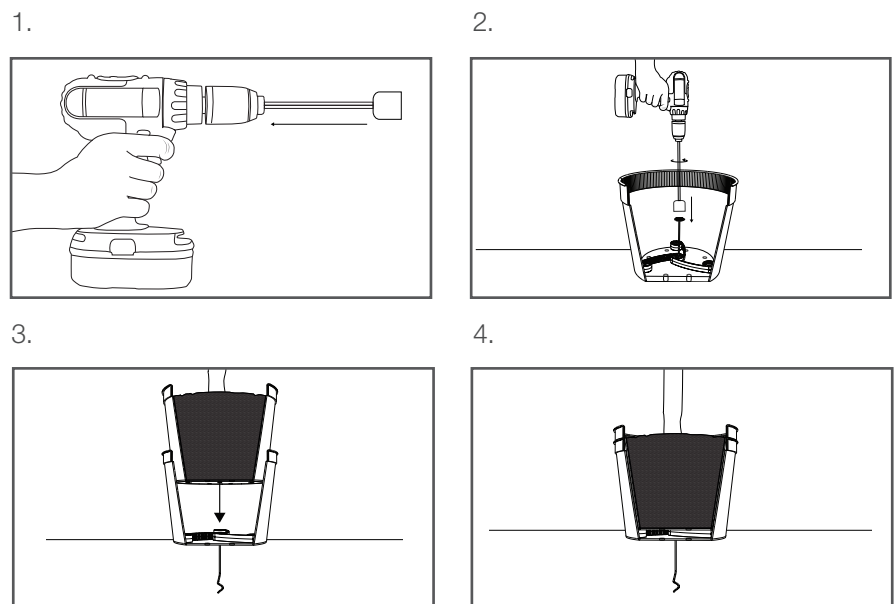
Extended Chuck
(490 mm)

For more information contact us or visit our website - www.gripple.com

CHUCK ASSEMBLY



INSTALLATION



For more information on how to install the Pot-Lock visit our Youtube channel - GrippleTV. Alternatively see Installation Guidelines & Procedures.