

Accessory

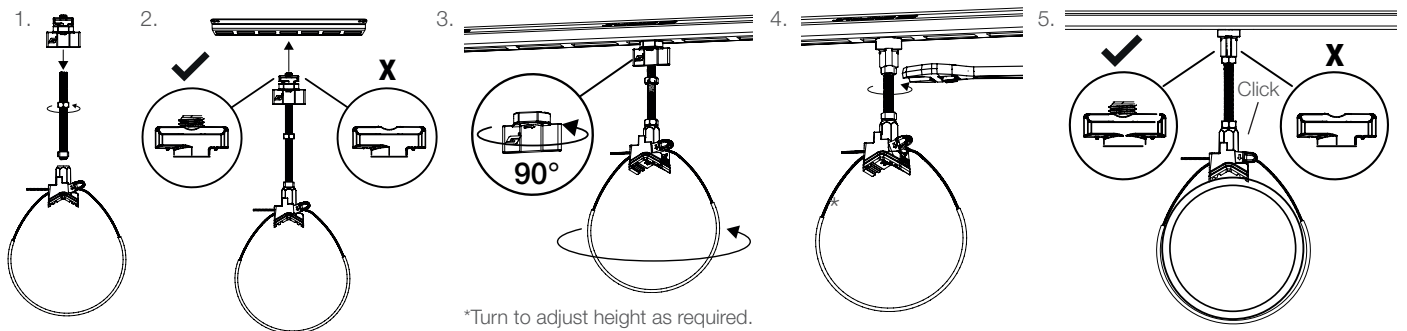
Enables pipes to be installed at varying heights from the bracket; ideal for instances where different sized pipes require aligning along the centre axis. For use with M8 rod and the Gripple Universal Clamp.

FEATURES / BENEFITS

- **Finite adjustment** – used with M8 rod and Gripple Universal Clamp, make height adjustments to suit exact requirements of the installation
- **Quick installation** – simple quarter turn attachment to Universal Bracket
- **Versatile** – enables pipes of different sizes to be installed along the centre axis and condensate pipes to be installed at a gradient for drainage
- **Universal** – replaces more than 13 different pipe ring sizes, when used with the Gripple Universal Clamp

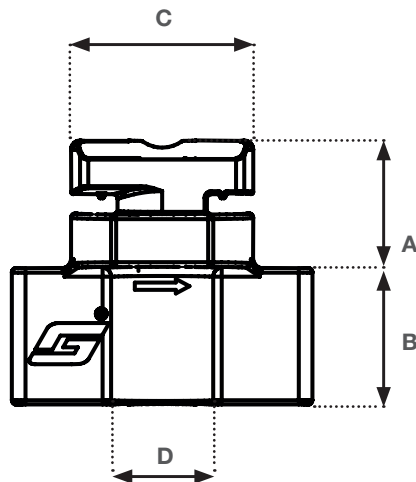


INSTALLATION & ADJUSTMENT



Please note, not supplied with Gripple Universal Clamp and M8 rod

SPECIFICATION



Dimension	(mm)
A	14
B	15
C	20
D	M8

RELATED PRODUCTS



For more options on suspension methods please contact us or visit www.gripple.com

SUBMITTAL INFORMATION

Load rating:
Max. 75 kg @ 3:1 safety factor
Vertical loads only

Material:
EZAK Alloy

Approvals:
Lloyds certified
TUV tested
APAVE tested